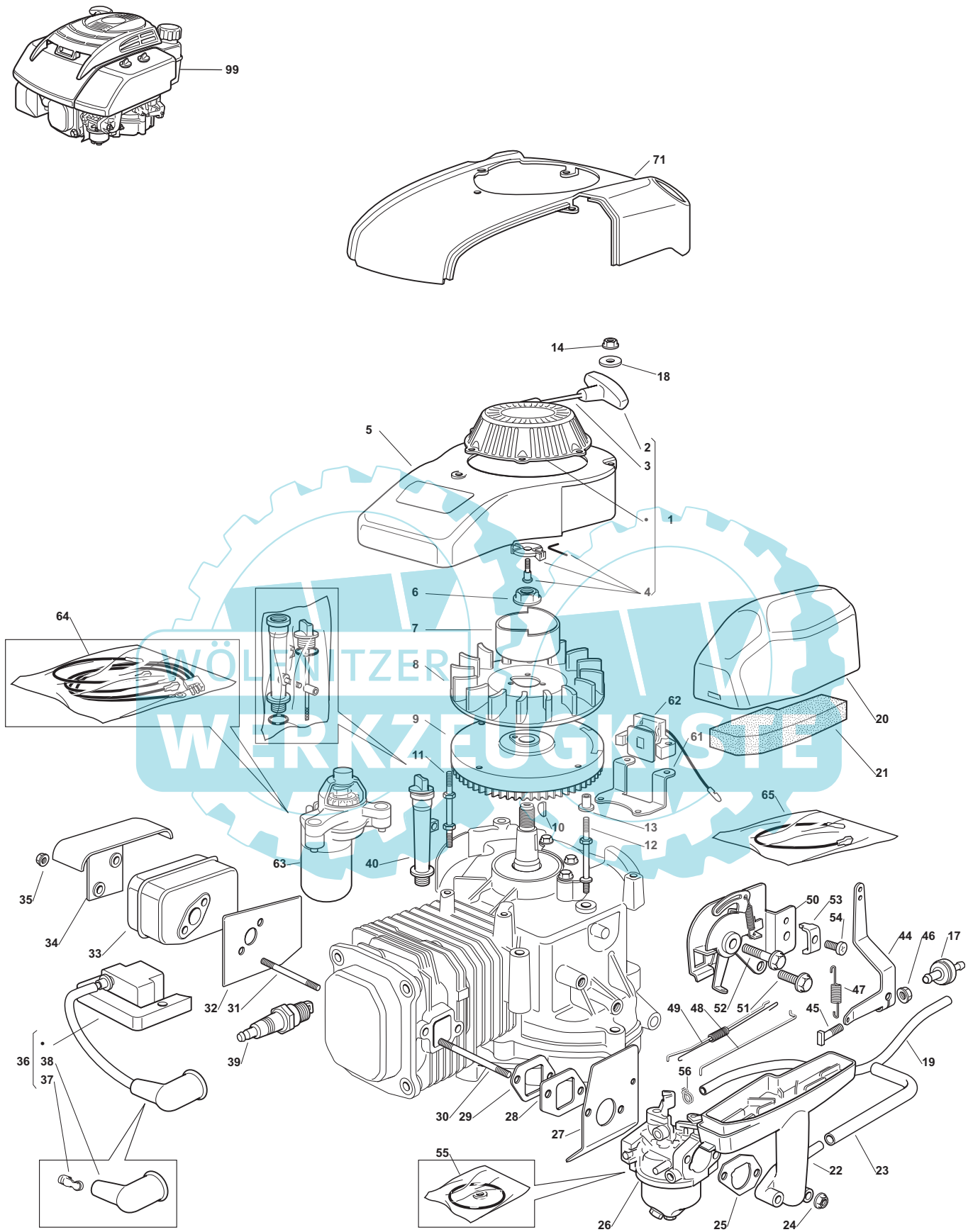


| Ausgabe Issue | | Bild Nr Picture No | | GGP MOTOR R200ES | | GGP ENGINE R200ES | | Seite Page | |
|------------------|-----------------|-----------------------|--|---------------------|------------------------|-----------------------|----------------------------|---------------|--------------------|
| 2008- 52 | | B140 | | | | | | 80 | |
| Pos. Fig. | Anzahl/Quantity | | | | Artikel Nr. Part No | Bezeichnung | Description | Satz Kit | Anmerkung Notes |
| | | | | | | | | | |
| 101 | 4 | | | | 18550095/0 | Schraube | Screw | | |
| 102 | 1 | | | | 18550097/0 | Ventilabdeckung | Valve cover..... | | |
| 103 | 1 | | | | 18550098/0 | Dichtung | Gasket | | |
| 104 | 1 | | | | 18550099/0 | Zylinderkopf..... | Cylinder head | | |
| 105 | 4 | | | | 18550100/0 | Schraube | Screw | | |
| 106 | 1 | | | | 18550101/0 | Dichtung | Cylinder head gasket | | |
| 107 | 1 | | | | 18550102/0 | Dichtring..... | Oil seal | | |
| 108 | 1 | | | | 18550103/0 | Dichtung | Gasket | | |
| 109 | 1 | | | | 18550176/0 | Kurbelwelle..... | Crankshaft..... | | L = 80 mm |
| 110 | 1 | | | | 18550105/0 | Pleuelstange | Connecting rod | | |
| 111 | 1 | | | | 18550106/0 | Kolben kpl..... | Piston assy | | |
| X 112 | 1 | | | | 118550107/1 | Nockenwelle | Camshaft..... | | |
| 113 | 1 | | | | 18550108/0 | Ventilhebersatz | Valve lifter set | | |
| 114 | 1 | | | | 18550109/0 | Stangensatz | Push rod set..... | | |
| 115 | 1 | | | | 18550110/0 | Drehzahlregler | Governor gear | | |
| 116 | 1 | | | | 18550111/0 | Reglerachse..... | Governor shaft | | |
| 117 | 1 | | | | 18550112/0 | Dichtung | Crankcase gasket | | |
| 118 | 1 | | | | 18550113/0 | Kurbelgehäuse..... | Crankcase | | Inkl. 119 |
| 119 | 1 | | | | 18550114/0 | • Dichtring | • Seal ring | | |
| 120 | 1 | | | | 18550115/0 | Scheibe..... | Washer | | |
| 121 | 1 | | | | 18550116/0 | Schraube | Screw | | |
| 122 | 1 | | | | 18550117/0 | Halteblech..... | Clamp..... | | |
| 123 | 1 | | | | 18550118/0 | Kipphebelsatz | Rocker arm set..... | | |
| 124 | 1 | | | | 18550119/0 | Auspuffventil | Exhaust valve | | |
| 125 | 1 | | | | 18550120/0 | Ansaugventil | Intake valve | | |
| 126 | 1 | | | | 18550121/0 | Kolbenringsatz | Piston ring set..... | | |
| 127 | 1 | | | | 18550122/0 | Dichtungssatz | Gasket set | | |



B139A

| Ausgabe Issue | | Bild Nr Picture No | | GGP MOTOR R200ES | | GGP ENGINE R200ES | | Seite Page | |
|------------------|-----------------|-----------------------|--|---------------------|------------------------|----------------------------|----------------------------|---------------|--------------------|
| 2008- 52 | | B139A | | | | | | 78 | |
| Pos. Fig. | Anzahl/Quantity | | | | Artikel Nr. Part No | Bezeichnung | Description | Satz Kit | Anmerkung Notes |
| | | | | | | | | | |
| X 1 | 1 | | | | 118550161/1 | Start kpl..... | Starter assy..... | | Inkl. 2 - 4 |
| 2 | 1 | | | | 18550052/0 | • Startergriff..... | • Starter handle..... | | |
| 3 | 1 | | | | 18550053/0 | • Starterseil..... | • Starter cord..... | | |
| 4 | 1 | | | | 18550004/1 | • Startsperr..... | • Starter pawl set..... | | |
| 5 | 1 | | | | 18550162/0 | Motorhaube..... | Engine cover..... | | |
| 6 | 1 | | | | 18550056/0 | Mutter..... | Flywheel nut..... | | |
| 7 | 1 | | | | 18550198/0 | Startergehäuse..... | Starter cup..... | | |
| 8 | 1 | | | | 18550167/0 | Gebälse..... | Fan..... | | |
| 9 | 1 | | | | 18550168/0 | Schwungrad..... | Flywheel..... | | |
| 10 | 1 | | | | 18550061/0 | Keil..... | Key..... | | |
| 11 | 1 | | | | 18550171/0 | Bolzen..... | Stud bolt..... | | |
| 12 | 2 | | | | 18550172/0 | Bolzen..... | Stud bolt..... | | |
| 13 | 3 | | | | 18550170/0 | Buchse..... | Bushing..... | | |
| 14 | 3 | | | | 18550050/0 | Mutter..... | Nut..... | | |
| 17 | 1 | | | | 18550166/0 | Benzinfilter..... | Fuel filter..... | | |
| 18 | 2 | | | | 18550164/0 | Buchse..... | Bushing..... | | |
| 19 | 1 | | | | 18550084/0 | Kraftstoffleitung..... | Fuel hose..... | | |
| 20 | 1 | | | | 18550160/0 | Luftfilterdeckel..... | Air cleaner cover..... | | |
| 21 | 1 | | | | 18550187/0 | Luftfilter..... | Air filter..... | | |
| 22 | 1 | | | | 18550186/0 | Luftkollektor..... | Intake manifold..... | | |
| 23 | 1 | | | | 18550181/0 | Entlüfterrohr..... | Breather pipe..... | | |
| 24 | 2 | | | | 18550081/0 | Mutter..... | Nut..... | | |
| 25 | 1 | | | | 18550078/0 | Dichtung..... | Gasket..... | | |
| 26 | 1 | | | | 18550077/0 | Vergaser..... | Carburettor..... | | |
| 27 | 1 | | | | 18550124/0 | Thermoisolierung..... | Heat block..... | | |
| 28 | 1 | | | | 18550076/0 | Ansaug..... | Intake..... | | |
| 29 | 1 | | | | 18550075/0 | Dichtung..... | Gasket..... | | |
| 30 | 2 | | | | 18550188/0 | Stiftschraube..... | Stud bolt..... | | |
| 31 | 2 | | | | 18550069/0 | Stiftschraube..... | Double head bolt..... | | |
| 32 | 1 | | | | 18550068/0 | Dichtung..... | Gasket..... | | |
| 33 | 1 | | | | 18550185/0 | Schalldämpfer..... | Muffler..... | | |
| 34 | 1 | | | | 18550184/0 | Schalldämpferschutz..... | Muffler guard..... | | |
| 35 | 2 | | | | 18550050/0 | Mutter..... | Nut..... | | |
| 36 | 1 | | | | 18550070/0 | Elektronikspule..... | Electronic coil..... | | |
| 37 | 1 | | | | 18550071/0 | • Anschluß..... | • Spark plug terminal..... | | |
| 38 | 1 | | | | 18550072/0 | • Zündkerzenkappe..... | • Spark plug cover..... | | |
| 39 | 1 | | | | 18550073/0 | Zündkerzen..... | Spark plug..... | | |
| 40 | 1 | | | | 18550063/0 | Ölstandrohr Kpl..... | Oil filler assy..... | | |
| 44 | 1 | | | | 18550086/0 | Reglerhebel..... | Governor lever..... | | |
| 45 | 1 | | | | 18550085/0 | Bolzen..... | Pin..... | | |
| 46 | 1 | | | | 18550050/0 | Mutter..... | Nut..... | | |
| 47 | 1 | | | | 18550087/0 | Feder..... | Spring..... | | |
| 48 | 1 | | | | 18550088/0 | Chokereglerstange..... | Choke control rod..... | | |
| 49 | 1 | | | | 18550089/0 | Reglerstange m.Feder..... | Governor link & sprin..... | | |
| 50 | 1 | | | | 18550092/1 | Regulierplatte..... | Control plate..... | | |
| 51 | 1 | | | | 18550090/0 | Schraube..... | Screw..... | | |
| 52 | 1 | | | | 18550091/0 | Schraube..... | Screw..... | | |
| 53 | 1 | | | | 18550022/0 | Drahtklemme..... | Casing clamp..... | | |
| 54 | 1 | | | | 18550023/0 | Schraube..... | Screw..... | | |
| 55 | 1 | | | | 18550096/0 | Dichtungssatz- Vergas..... | Gasket set- carb..... | | |
| 56 | 2 | | | | 18550083/0 | Schlauchklemme..... | Hose clamp..... | | |
| 61 | 1 | | | | 18550175/0 | Halter..... | Bracket..... | | |
| 62 | 1 | | | | 18550174/0 | Generator..... | Alternator..... | | |
| 63 | 1 | | | | 18550173/0 | Anlassmotor..... | Starter motor..... | | |
| 64 | 1 | | | | 18550178/0 | Kabelbündel..... | Cable harness..... | | |
| 65 | 1 | | | | 18550179/0 | Kabel..... | Cable..... | | |
| 71 | 1 | | | | 22055447/0 | Motorhaube..... | Engine cover..... | | |
| 99 | 1 | | | | 18550196/0 | Motor kpl..... | Engine assy..... | | |
| | | | | | | | | | Inkl. 37 - 38 |

